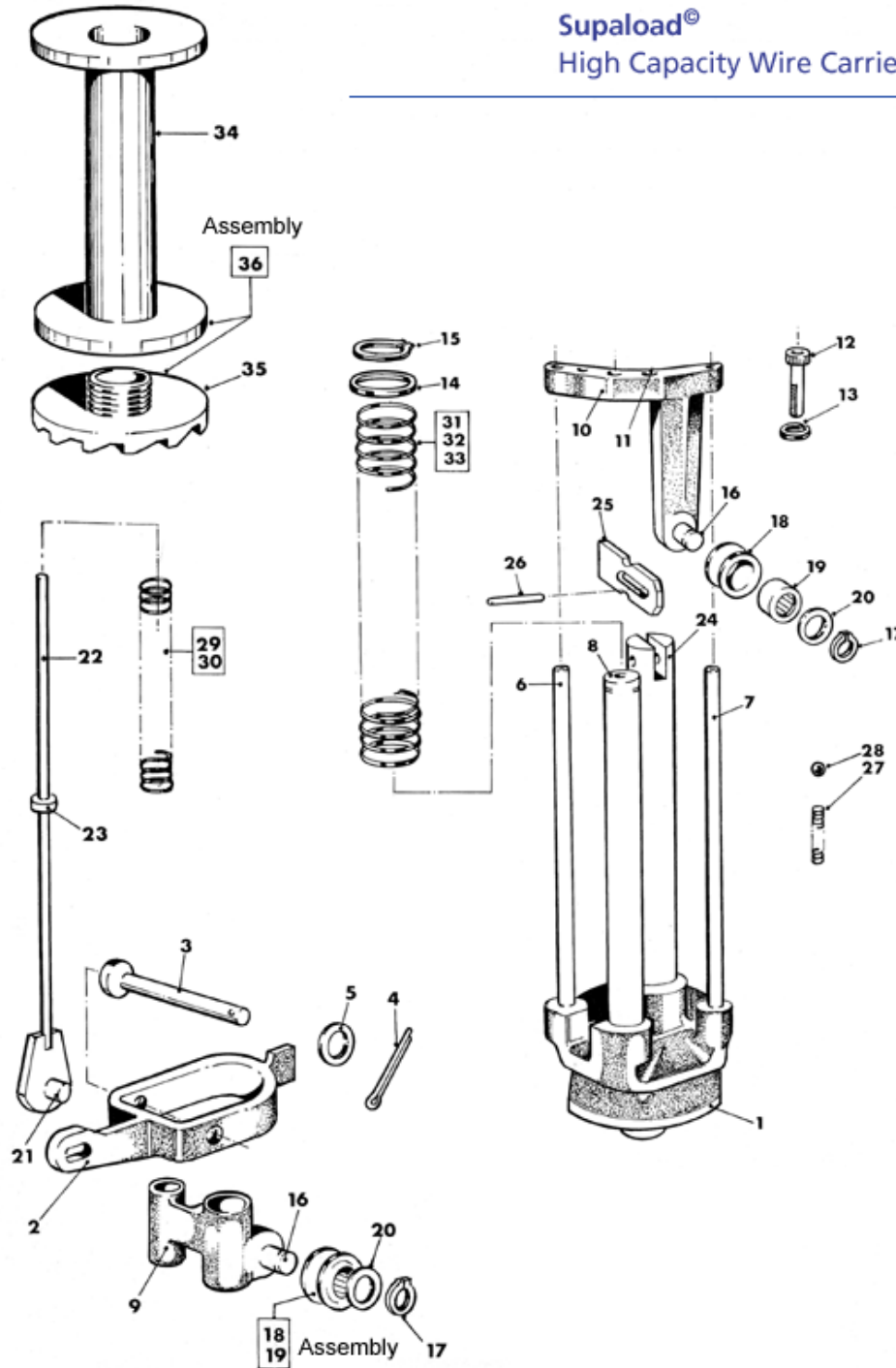




Supaload Carrier Diagram and Part Numbers

Please use this diagram to help with identification of missing or replacement parts needed for the Carter Supaload® carrier. A full listing of part numbers is given below:

Supaload® High Capacity Wire Carrier





Supaload Carrier Parts List

Item	Component Part	Stock Number	Drawing Number
1	Carrier Shoe	702450	SD1/152/A
2	Release Catch	702405	SD1/237/F
3	Pivot Spindle	702454	SD1/216/B
4	Split Pin	422321	
5	Washer	421090	
6	Guide Bar	702455	SD1/158/C
7	Guide Bar (Hard Chrome Plate)	702468	SD1/158/N
8	Spring Spindle	702456	SD1/158/D
9	Slider	702457	SD1/237/A
10	Top Bracket	702403	SD1/237/B
11	Insert (Brazed to item 10)	588270	
12	Screw - 1/4" BSF x 3/4" S/H	401311	
13	Washer 1/4" Bore S/Coil Spring	421304	
14	Spring Collar	702458	SD1/158/H
15	Circlip -Seeger	431038	
16	Roller Spindle*	702490	SD1/237/D
17	Circlip -Seeger	431021	
18	Roller	702489	SD1/237/C
19	Roller Bearing	702485	
20	Washer - Roller	702486	SD1/237/E
21	Release Peg }	702463	SD1/237/H
22	Release Rod }	702464	SD1/152/F
23	Release Collar }	702465	SD1/158/J
24	Bobbin Spindle	702466	SD1/158/E
25	Locking Catch	702467	SD1/237/G
26	Dowel Pin	422016	
27	Spring for Catch	702474	
28	Ball Bearing	502757	
29	Release Spring 18 ^s SWG	702470	
30	Release Spring 16 ^s SWG	702483	
31	Compression Spring 14 ^s SWG	702473	
32	Compression Spring 15 ^s SWG	702472	
33	Compression Spring 0.086Ø	702476	
34	Bobbin	705041	SD1/158/L
35	Bobbin Ratchet	705042	SD1/158/M
36	Bobbin Assembly	705040	
Notes:	*Not normally supplied separately. Descriptions and designs given herein are not binding. Improvements are made from time to time and the right is reserved to modify specifications accordingly without notice. Many of the mechanisms and designs incorporated in the products of the company are covered by patents in the United Kingdom and elsewhere.		